



Notice d'utilisation du générateur de vide GEN20-DP001

Gebrauchsanweisung des Vakuumerzeuger GEN20-DP001

Operating instructions for vacuum generator GEN20-DP001

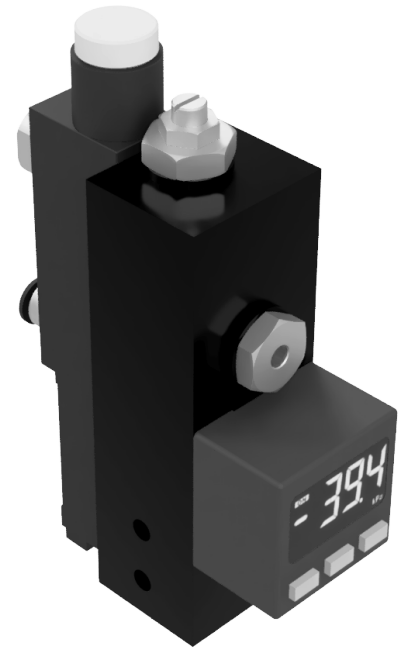
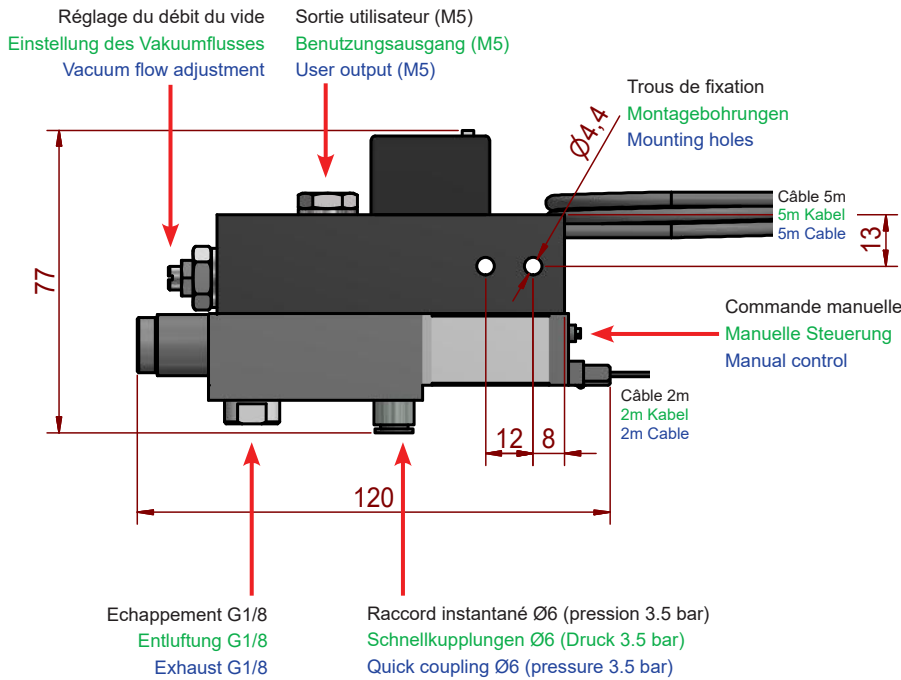
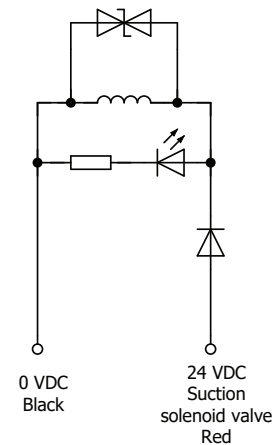
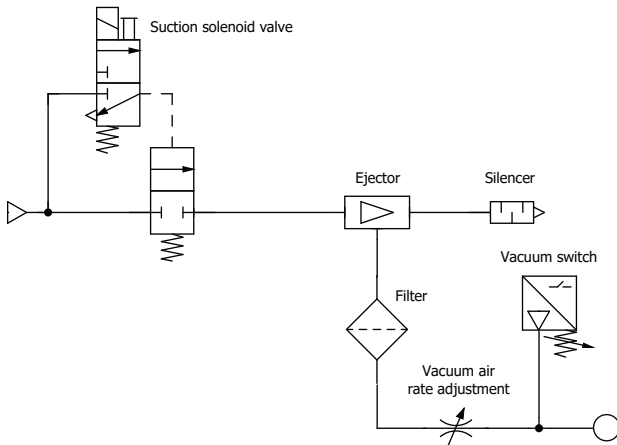


Schéma pneumatique | Pneumatikdiagramm | Pneumatic diagram

Schéma électrovanne | Magnetventil-diagramm | Solenoid valve diagram

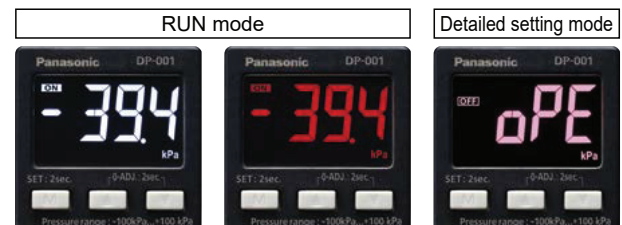


Capteur de pression numérique | Digitaler Drucksensor | Digital pressure sensor

Selection of display color from red or white

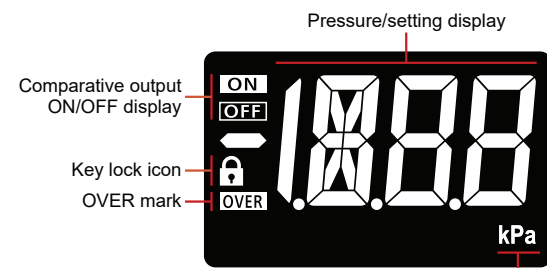
The display color can be selected from red or white in accordance with the output operation. Since the detailed setting mode display is pink (unchangeable), the pressure sensor status can be easily recognized by color.

Display color setting	RUN mode		Detailed mode
	Comparative output ON	Comparative output OFF	
Red for ON, white for OFF	Red	White	Pink
White for ON, red for OFF	White	Red	
Red in normal status	Red		
White in normal status	White		



Simple and highly visible display

The LCD offers a wide viewing angle so the display is easy to see even from an oblique angle. The alphanumeric display (12-segment display), the key lock mark and the OVER mark are also clear and easy to see.

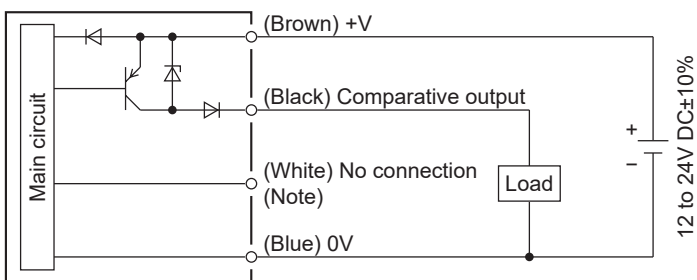


Low pressure type: kPa, kgf/cm², bar, psi, mmHg
 High pressure type: MPa, kgf/cm², bar, psi

SPECIFICATIONS

Model	DP-001-P	
Type of pressure	Gauge pressure	
Rated pressure range	-100,0 to + 100,0 kPa	
Set pressure range	-100,0 to + 100,0 kPa - 1,030 to + 1,030 kgf/cm ² - 1,010 to +1,010 bar - 14,65 to + 14,65 psi - 756 to + 756 mmHg	
Pressure withstandability	500 kPa	
Applicable fluid	Air, non corrosive gas	
Selectable unit	kPa, kgf/cm ² , bar, psi, mmHg	
Supply voltage	12 to 24 V DC \pm 10 % Ripple P-P 10 % or less	
Power consumption	30 mA or less	
Comparative output	PNP output type PNP open collector transistor - Maximum source current 50 mA - Applied voltage : 30 V DC or less (between comparative output and 0 V) - Residual voltage : 2 V or less (at 50 mA source current)	
	Output operation	Selectable NO or NC by key operation
	Hysteresis	Minimum 2 digits (variable)
	Repeatability	\pm 0,2 % F.S. (within \pm 4 digits)
	Response time	2,5 ms, 25 ms, 250 ms, selectable by key operation
	Short circuit protection	Incorporated
Environmental resistance	Protection	IP40 (IEC)
	Ambient temperature	0 to + 50°C (No dew condensation allowed, Storage : - 10 to + 60°C)
	Ambient humidity	35 to 85 % RH, Storage : 35 to 85 % RH
	Voltage withstandability	500 V AC for one min. between all supply terminals connected together an enclosure
	Insulation resistance	50 M Ω or more with 500 V DC megger between all supply terminals connected together an enclosure
	Vibration resistance	10 to 150 Hz, amplitude 0,75 mm or maximum acceleration 49 m/s ² , in X, Y and Z directions for two hours each
	Shock resistance	100 m/s ² acceleration (10 G approx.) in X, Y and Z directions for three times each
Pollution degree	2	
Overvoltage category	I	
Usable altitude	2000 m or less	
Temperature characteristics (+20°C standard)	+ 10 to + 40°C : Within \pm 1 % F.S. 0 to +50°C : Within \pm 2,5 % F.S	
Grounding method	Floating	
Material	Enclosure : PBT (glass fiber reinforced), LCD display : Acrylic, Pressure port : Brass (nickel plated),	

PNP OUTPUT TYPE



Note: Open or, Connect to 0V.

ERROR INDICATION

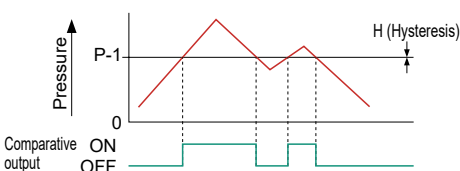
Error indication	Description	Remedy
	The load is short-circuited causing an overcurrent to flow.	Turn OFF the power and check the load.
	Pressure is applied during zero point adjustment.	Applied pressure at the pressure port should be brought to atmospheric pressure and zero-point adjustment should be done again.
	The applied pressure exceeds the upper limit of the displayed pressure range.	Applied pressure range should be brought within the rated pressure range.
	The applied pressure exceeds the lower limit (back pressure) of the displayed pressure range.	

THREE OUTPUT MODES

Equipped with three output modes for use in a wide range of applications

(1) EASY mode

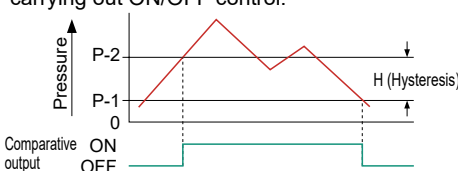
This mode is used for comparative output ON/OFF control.



*H: 4 digits (fixed) (10 digits or more when using psi unit)

(2) Hysteresis mode

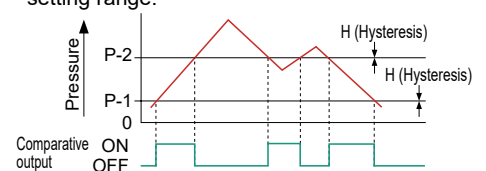
This mode is used for setting comparative output hysteresis to the desired level and for carrying out ON/OFF control.



*H: 2 digits or more (5 digits or more when using psi unit)

(3) Window comparator mode

This mode is used for setting comparative output ON and OFF at pressures within the setting range.



*H: 4 digits or more (10 digits or more when using psi unit)

FACTORY SETTINGS

Operation setting	EASY mode
NO / NC setting	NC
Threshold value	-50
Pressure unit	kPa
Display color	Red when ON, White when OFF
Response speed	2,5 ms

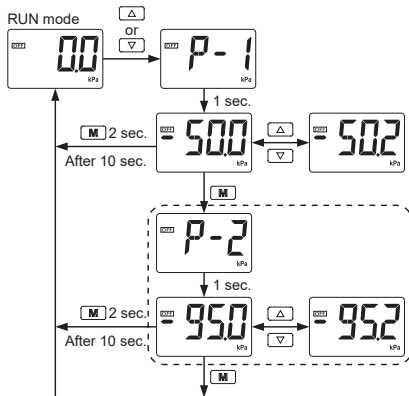
MENU SETTING MODE

Display during output operation



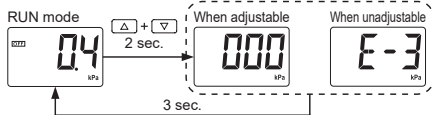
*: Settings of output operation and display colors can be changed in "Display color setting mode" of "Setting mode."

Threshold value setting mode



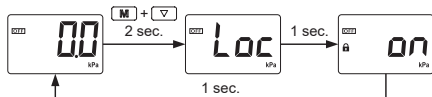
*: Displayed only when hysteresis mode / window comparator mode is set.

Zero point adjustment mode

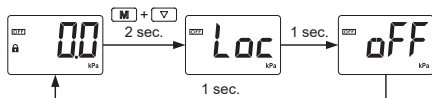


Key lock setting / release mode

<Setting of key lock>

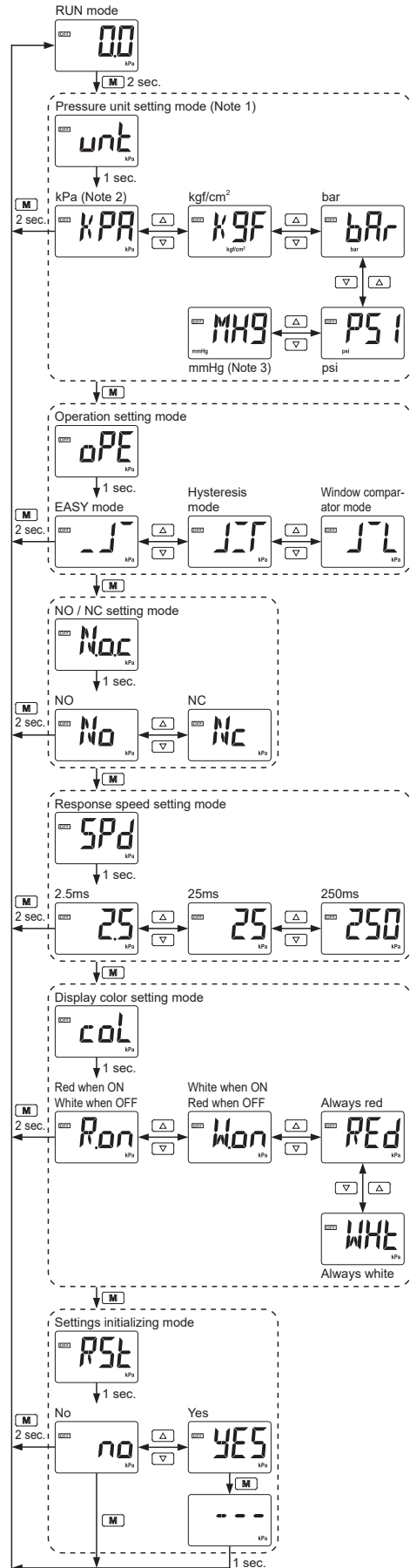


<Release of key lock>



*: The key lock mark appears for 1 sec. when key operation is performed in RUN state with the key lock set (turns OFF in RUN state).

DETAILED SETTING MODE



Notes: 1) The pressure unit setting mode is not displayed in the product intended for use in Japan.

2) "MPa" is used for high pressure type.

3) "mmHg" is used only for low pressure type.

4) When setting change has been made, do not turn OFF the power supply within 5 sec. after returning to RUN mode.