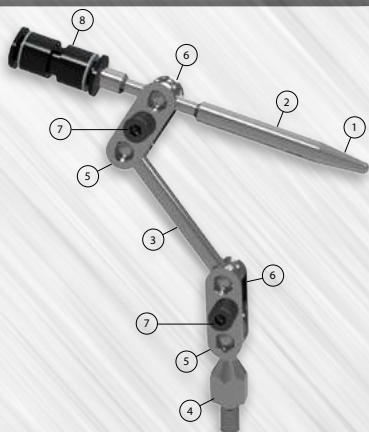




Hinged Blowgun

Fully adjustable: **360°** movements
 Add any number of rods and hinges
 Multiple accessories

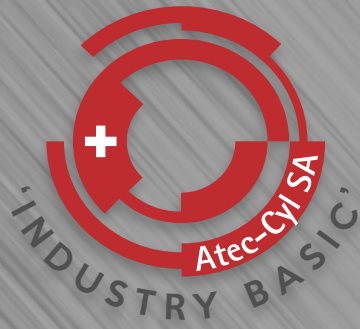


Components list

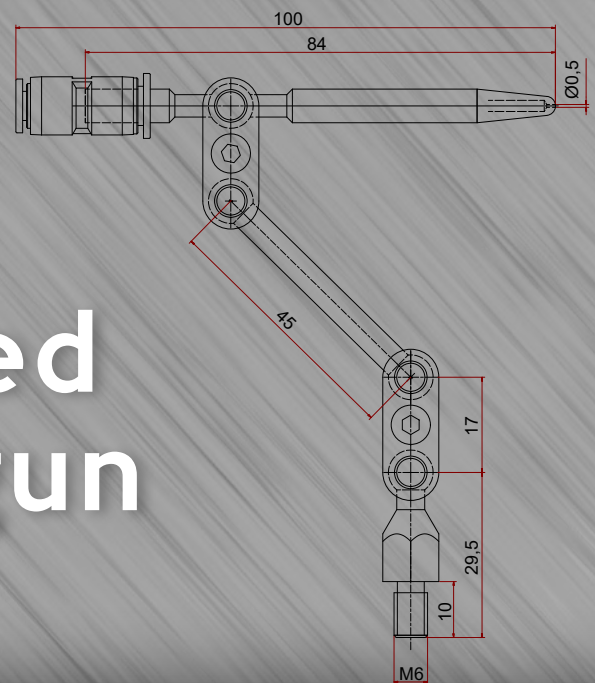
N°	Description	Item N°
1	Air nozzle	H000102
2	Blowgun body	H000103
3	Hinged rod	H003238
4	Spherical holder	H000109
5	Plate - unthreaded	H004399
6	Plate - threaded	H004644
7	Screw - M4x10	BN272
8	PISCO coupling - PU6M	H106719

Preassembled Kits

Type	N° of Rod	Coupling (Intake Ø 4,6,8)	Item N°
AC70 - 1 - 6/4	1	Quick coupling PG6-4M	H004692
AC70 - 1 - 6/6	1	Quick coupling PU6M	H004693
AC70 - 1 - 6/8	1	Quick coupling PG6-8M	H004694
AC70 - 2 - 6/4	2	Quick coupling PG6-4M	H004695
AC70 - 2 - 6/6	2	Quick coupling PU6M	H004696
AC70 - 2 - 6/8	2	Quick coupling PG6-8M	H004697
AC70 - 3 - 6/4	3	Quick coupling PG6-4M	H004698
AC70 - 3 - 6/6	3	Quick coupling PU6M	H004699
AC70 - 3 - 6/8	3	Quick coupling PG6-8M	H004700



Hinged Blowgun



Accessories

Type	Item N°	Type	Item N°
Body Barbed fitting Ø5	H003242	Nozzle Ø0.5	H000102
Body Female fitting G1/8"	H210303	Additional rod	H003238
Body Quick coupling Ø6	H000103	Spherical holder (M3 - M4 - M5 - M6)	H000109/M...
Unthreaded plate Ø4.2 Standard	H000105	Unthreaded plate Ø5.3 Reinforced	H004399
Threaded plate M4 Standard	H000107	Threaded plate M5 Reinforced	H004644
Standard kit Additional hinge (preassembled)	H216228	Reinforced kit Additional hinge (preassembled)	H216227
Pied magnétique Ø50 - H 22mm 220N	H001438	Flow controller	JNMU6